

Discrete Wall Temperature Sensor

Description

Small discrete housing with a choice of sensor types. Designed to fit almost flush to the wall or ceiling

Specification

Discrete sensor housing which can be fitted with a wide choice of sensor options. Supplied with a flying lead and finished in white primer which can be painted to match the room decor or any plated or powder coated finish

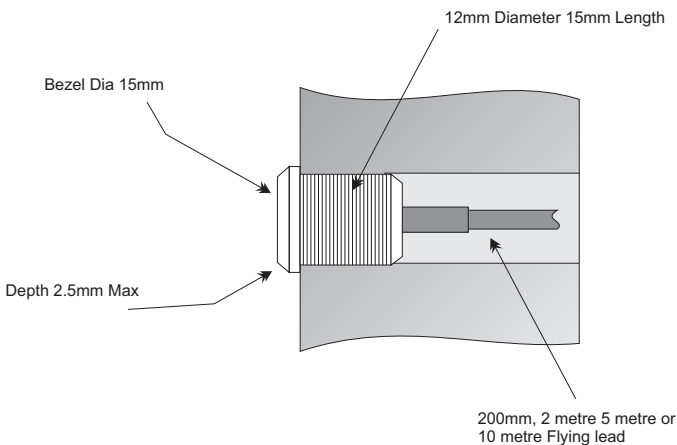
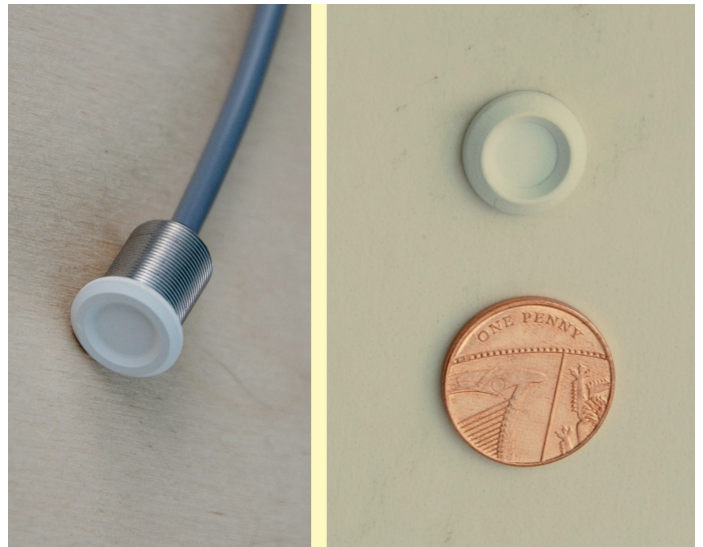
Material

White primer, Stainless steel, Polished stainless steel, Lacquered Brass, Powder coated in RAL colours. Any plated finish to match existing electrical hardware (See our leaflet for the range of finishes).

Mounting

Housing: Push in housing to fit into a 12mm hole. Serrated "grip" to hold firmly in mounting hole. White Primer finish

Flying lead: Supplied with a choice of 200mm, 2 metre, 5 metre or 10 metre flying lead (two core screened) Other lengths available



Associated Products

- Discrete Temperature Sensors
- Thimble Temperature Sensors
- Button Temperature Sensors
- Anti ligature sensors

Ordering information

TWS - 11 - 10 - 02

Finish	
Ref	Finish
01	Brushed Stainless steel
02	Polished Stainless steel
05	Lacquered Brass
07	Powder coated (state RAL colour)
11	White primer
XX	Match Electrical switchplates (state range and finish)

Flying Lead	
Ref	Lead length
01	200mm Lead
02	2 metre Lead
05	5 metre Lead
10	10 metre Lead

Sensor Type		
Ref	Sensor	System
01	1.8K3A1	TAC
04	3K3A1	Alerton
10	10K3A1	Trend, Honeywell, Next
12	10K4A1	Andover, Delta, York
15	20K6A1	Honeywell
20	50K6A1	Priva
30	SAT1	Satchwell
52	PT1000A	Cylon
60	LS Ni1000	Siemens
70	Mitsi	Mitsubishi
72	Daik	Daikin
80	Gira	Gira KNX
XX	Other	Specify when ordering

Example:

TWS - 11 - 10 - 02
 White primer, Trend sensor, 2 metre Lead
Bold = Standard item available from stock

If this product doesn't quite suit your application - Contact us to discuss a bespoke version